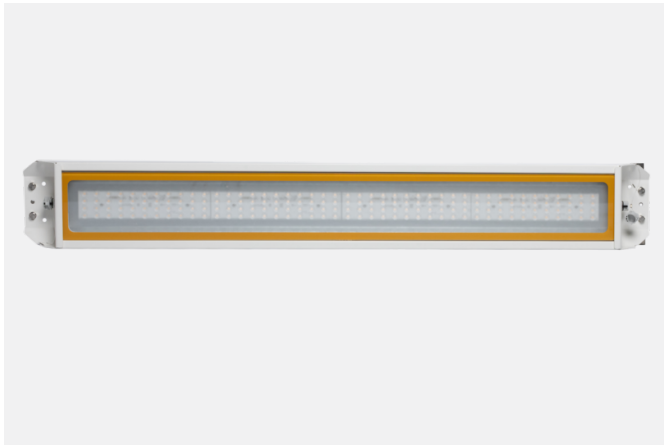


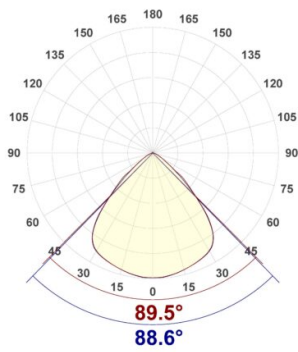
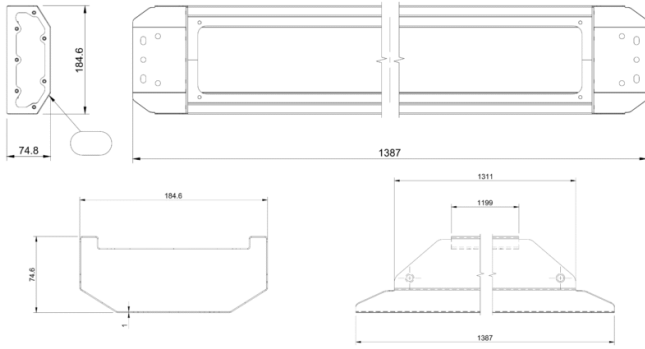
Steel X ATEX



STXM, Z2, 65, Y4403, DGF, 830

| | |
|---|---------------------|
| Product ID | STXMZ265Y4403DGF830 |
| EPD available | No |
| Certificates | ATEX |
| MinTa in °C | -20 |
| MaxTa in °C | 40 |
| IP rating | IP65 |
| IK rating | IK10 |
| Corrosion class | C5-M |
| Electrical class | Class I |
| Voltage range (V) | 220 - 240 |
| Frequency range (Hz) | 50 - 60 |
| Total power consumption (W) | 65 |
| Power factor | 0.95 |
| PstLM | <1 |
| SVM | <0.4 |
| THD | <8 |
| Driver type | On/Off, DALI2 |
| Dimming capability | No dimming, DALI2 |
| Driver options | Luxtronic |
| Number of drivers | 1 |
| Luminous flux from luminaire (lm) | 10010 |
| Efficacy (lm/W) | 154 |
| Color temperature (K) | 3000 |
| CRI (Color Rendering Index) | 80 |
| McAdam steps | 3 |
| Optic type | Symmetric 89° |
| Optic code | Y4403 |
| Energy class of light source | D |
| LED lifetime L90B10 Ta25 (h) | 50000 |
| LED lifetime L80B10 Ta25 (h) | 100000 |
| Luminous flux decline (LLMF) 50.000h Ta25 | L90 |

Steel X ATEX



| | |
|--------------------------------------|-------------------------------|
| Warranty period | 5 years |
| Main housing material | Stainless Steel 316L |
| Housing color code / name | White |
| Finish / Coating type | Powder coating |
| Diffuser design | Frosted |
| Product Mounting | ceiling surface, wall surface |
| Cable type | Not included |
| Length (mm) | 1390 |
| Width (mm) | 185 |
| Height (mm) | 75 |
| Net weight (kg) | 8.8 |
| Full product weight (kg) | 9.8 |
| Recommended installation height in m | 6-8m |

