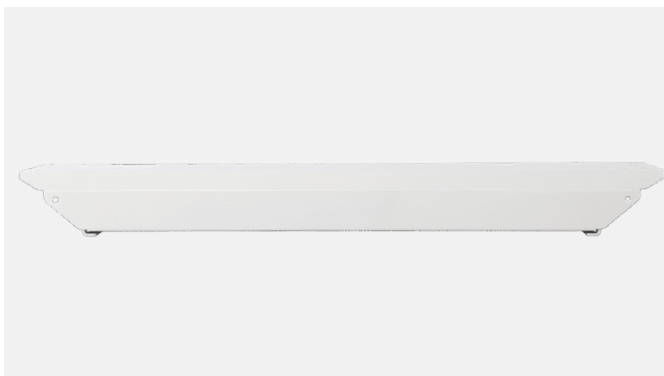


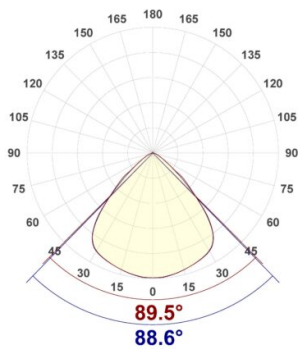
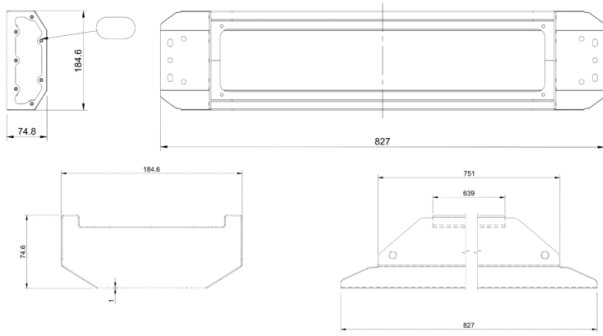
# Steel X



## STXS,30,Y4403,DGF,840

Product ID	STXS30Y4403DGF840
EPD available	No
MinTa in °C	-25
MaxTa in °C	25
IP rating	IP68
IK rating	IK10
Corrosion class	C5-M
Electrical class	Class I, Class II
Leakage current (mA)	< 0.5 mA
Voltage range (V)	198 - 264
Frequency range (Hz)	50 - 60
Total power consumption (W)	30
Power factor	0.95
PstLM	<1
SVM	<0.4
THD	<8
Surge protection (kV)	Up to 4kV (L/N - PE)
Driver type	On/Off
Dimming capability	No dimming
Driver options	Tridonic, *Other on demand
Number of drivers	1
Luminous flux from luminaire (lm)	4350
Efficacy (lm/W)	145
Color temperature (K)	4000
CRI (Color Rendering Index)	80
McAdam steps	3
Optic type	Symmetric 89°
Optic code	Y4403
Energy class of light source	D
LED lifetime L90B10 Ta25 (h)	50000
LED lifetime L80B10 Ta25 (h)	100000

# Steel X



Luminous flux decline (LLMF) 50.000h Ta25	L90
Warranty period	5 years
Serviceability	LED module and driver are replaceable by installer
Main housing material	Steel
Housing color code / name	White, Steel
Finish / Coating type	Powder coating
Diffuser design	Frosted
Product Mounting	ceiling surface, wall surface
Cable type	Not included
Length (mm)	830
Width (mm)	185
Height (mm)	75
Net weight (kg)	5.7
Full product weight (kg)	6.7
Recommended installation height in m	5-6m

