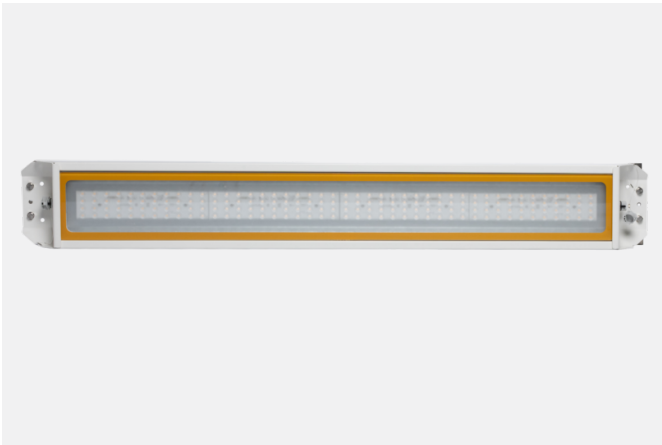


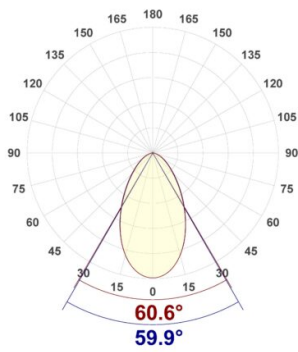
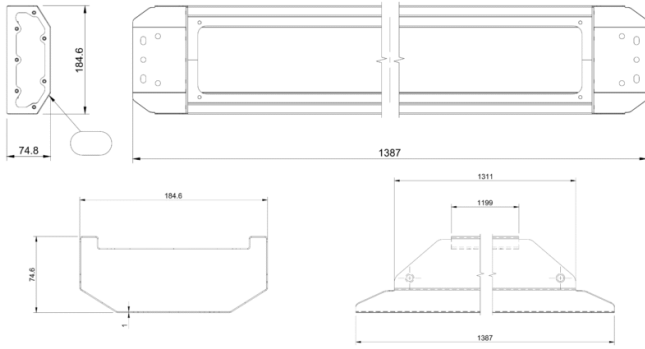
# Steel X ATEX



## STXM, Z2, 65, Y4402, DGM, 830

|   |                     |
|---|---------------------|
| Product ID                                | STXMZ265Y4402DGM830 |
| EPD available                             | No                  |
| Certificates                              | ATEX                |
| MinTa in °C                               | -20                 |
| MaxTa in °C                               | 40                  |
| IP rating                                 | IP65                |
| IK rating                                 | IK10                |
| Corrosion class                           | C5-M                |
| Electrical class                          | Class I, Class II   |
| Voltage range (V)                         | 220 - 240           |
| Frequency range (Hz)                      | 50 - 60             |
| Total power consumption (W)               | 65                  |
| Power factor                              | 0.95                |
| PstLM                                     | <1                  |
| SVM                                       | <0.4                |
| THD                                       | <8                  |
| Driver type                               | On/Off, DALI2       |
| Dimming capability                        | No dimming, DALI2   |
| Driver options                            | Luxtronic           |
| Number of drivers                         | 1                   |
| Luminous flux from luminaire (lm)         | 10010               |
| Efficacy (lm/W)                           | 154                 |
| Color temperature (K)                     | 3000                |
| CRI (Color Rendering Index)               | 80                  |
| McAdam steps                              | 3                   |
| Optic type                                | Symmetric 60°       |
| Optic code                                | Y4402               |
| Energy class of light source              | D                   |
| LED lifetime L90B10 Ta25 (h)              | 50000               |
| LED lifetime L80B10 Ta25 (h)              | 100000              |
| Luminous flux decline (LLMF) 50.000h Ta25 | L90                 |

# Steel X ATEX



|                                      |                               |
|--------------------------------------|-------------------------------|
| Warranty period                      | 5 years                       |
| Main housing material                | Stainless Steel 316L          |
| Housing color code / name            | White                         |
| Finish / Coating type                | Powder coating                |
| Diffuser design                      | Frosted                       |
| Product Mounting                     | ceiling surface, wall surface |
| Cable type                           | Not included                  |
| Length (mm)                          | 1390                          |
| Width (mm)                           | 185                           |
| Height (mm)                          | 75                            |
| Net weight (kg)                      | 8.8                           |
| Full product weight (kg)             | 9.8                           |
| Recommended installation height in m | 6-8m                          |

