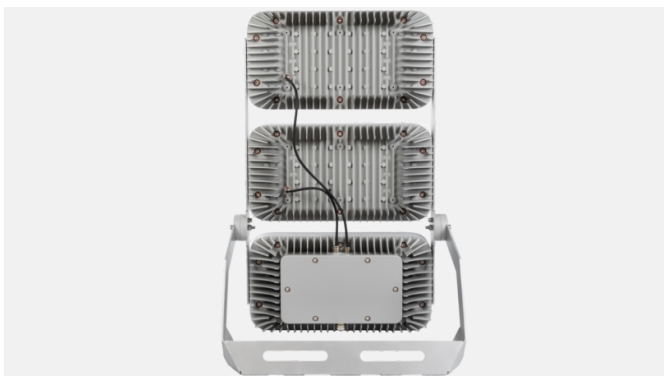


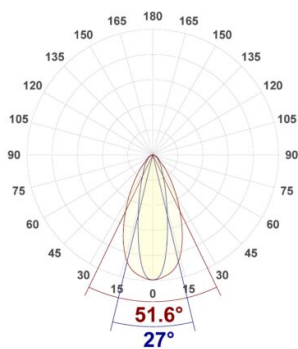
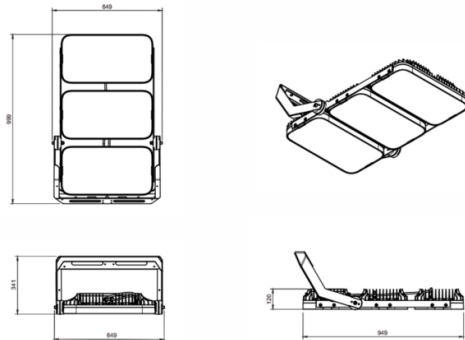
GEO Floodlight



GFL,1350,Y446,740,M3 EXT

Product ID	GFL3M1350Y446740EXT
EPD available	Yes
MinTa in °C	-40
MaxTa in °C	40
IP rating	IP66
IK rating	IK08
Corrosion class	C4
Electrical class	Class I, Class II
Leakage current (mA)	< 0.70 mA
Voltage range (V)	198 - 264
Frequency range (Hz)	50 - 60
Total power consumption (W)	1350
Power factor	0.95
PstLM	<1
SVM	<0.4
THD	<8
Surge protection (kV)	Up to 10kV (L/N - PE)
Driver type	On/Off, DALI2, D4i
Dimming capability	No dimming, DALI2, D4i available
Driver options	Inventronics, *Other on demand
Number of drivers	1
Luminous flux from luminaire (lm)	210250
Efficacy (lm/W)	156
Color temperature (K)	4000
CRI (Color Rendering Index)	70
McAdam steps	3
Optic type	Symmetric 52°x27°
Optic code	Y446
Energy class of light source	D
LED lifetime L90B10 Ta25 (h)	100000
LED lifetime L80B10 Ta25 (h)	110000

GEO Floodlight



LED lifetime L95B10 Ta25 (h)	50000
Luminous flux decline (LLMF) 50.000h Ta25	L95
Warranty period	5 years
Serviceability	LED module and driver are replaceable by installer
Main housing material	Aluminium
Housing color code / name	Grey (RAL 9006)
Finish / Coating type	Powder coating
Diffuser design	Transparent
Product Mounting	ceiling surface, wall surface, mast
Cable type	7x1,5mm ²
Length (mm)	999
Width (mm)	649
Height (mm)	341
Net weight (kg)	41
Full product weight (kg)	42
Recommended installation height in m	18-35m

