

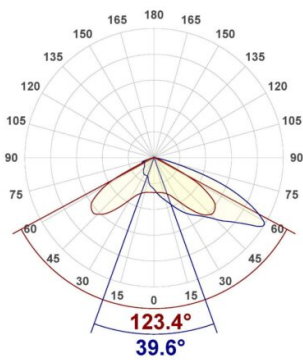
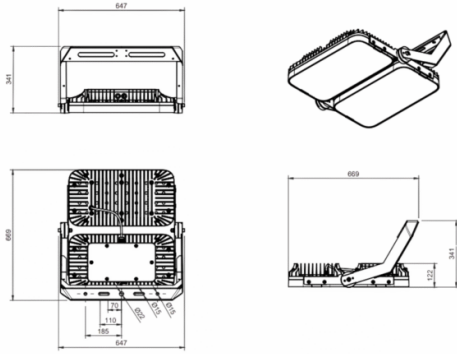
# GEO Floodlight



## GFL,800,S416,740,M2 EXT

Product ID	GFL800S416740M2 EXT
EPD available	No
MinTa in °C	-40
MaxTa in °C	40
IP rating	IP66
IK rating	IK08
Corrosion class	C4
Electrical class	Class I, Class II
Leakage current (mA)	< 0.70 mA
Voltage range (V)	198 - 264
Frequency range (Hz)	50 - 60
Total power consumption (W)	800
Power factor	0.95
PstLM	<1
SVM	<0.4
THD	<8
Surge protection (kV)	Up to 10kV (L/N - PE)
Driver type	On/Off, DALI2, D4i
Dimming capability	No dimming
Driver options	Inventronics, *Other on demand
Number of drivers	1
Luminous flux from luminaire (lm)	126800
Efficacy (lm/W)	159
Color temperature (K)	4000
CRI (Color Rendering Index)	70
McAdam steps	3
Optic type	Asymmetric 123°x40°
Optic code	S416
Energy class of light source	D
LED lifetime L90B10 Ta25 (h)	100000
LED lifetime L80B10 Ta25 (h)	110000

# GEO Floodlight



LED lifetime L95B10 Ta25 (h)	50000
Luminous flux decline (LLMF) 50.000h Ta25	L95
Warranty period	5 years
Serviceability	LED module and driver are replaceable by installer
Main housing material	Aluminium
Housing color code / name	Grey (RAL 9006)
Finish / Coating type	Powder coating
Diffuser design	Transparent
Product Mounting	ceiling surface, wall surface, mast
Cable type	H05RR-F 5x1,0mm <sup>2</sup>
Length (mm)	647
Width (mm)	669
Height (mm)	341
Net weight (kg)	28.5
Full product weight (kg)	29.8
Recommended installation height in m	18-25m

