

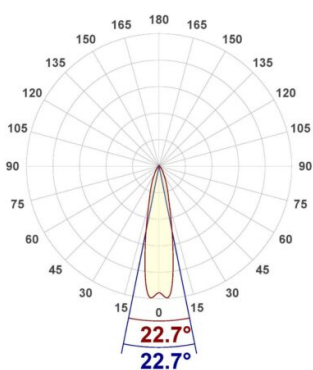
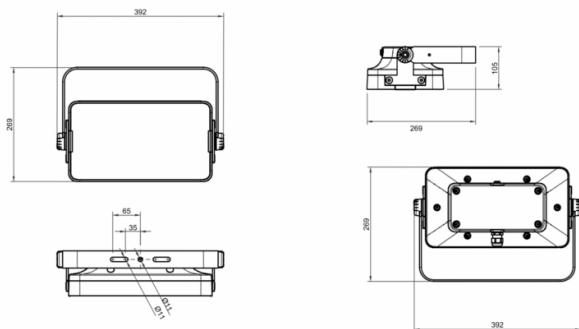
GEO Floodlight



GFS,100,S401,740,M1

Product ID	GFS100S401740
EPD available	No
MinTa in °C	-40
MaxTa in °C	40
IP rating	IP66
IK rating	IK08
Corrosion class	C4
Electrical class	Class I, Class II
Leakage current (mA)	< 0.45 mA
Voltage range (V)	198 - 264
Frequency range (Hz)	50 - 60
Total power consumption (W)	100
Power factor	0.95
PstLM	<1
SVM	<0.4
THD	<8
Surge protection (kV)	Up to 10kV (L/N - PE)
Driver type	On/Off, DALI2, D4i
Dimming capability	No dimming
Driver options	Tridonic, *Other on demand
Number of drivers	1
Luminous flux from luminaire (lm)	16720
Efficacy (lm/W)	167.2
Color temperature (K)	4000
CRI (Color Rendering Index)	70
McAdam steps	3
Optic type	Symmetric 23°
Optic code	S401
Energy class of light source	C
LED lifetime L90B10 Ta25 (h)	100000
LED lifetime L80B10 Ta25 (h)	110000

GEO Floodlight



LED lifetime L95B10 Ta25 (h)	50000
Luminous flux decline (LLMF) 50.000h Ta25	L95
Warranty period	5 years
Serviceability	LED module and driver are replaceable by installer
Main housing material	Aluminium
Housing color code / name	Grey (RAL 9006)
Finish / Coating type	Powder coating
Diffuser design	Transparent
Product Mounting	ceiling surface, wall surface, mast
Cable type	H05RR-F 3x1,0mm ²
Length (mm)	392
Width (mm)	269
Height (mm)	105
Net weight (kg)	5.35
Full product weight (kg)	5.4
Recommended installation height in m	8-10m

