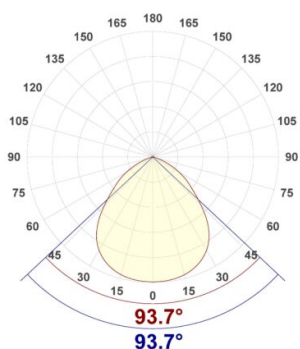
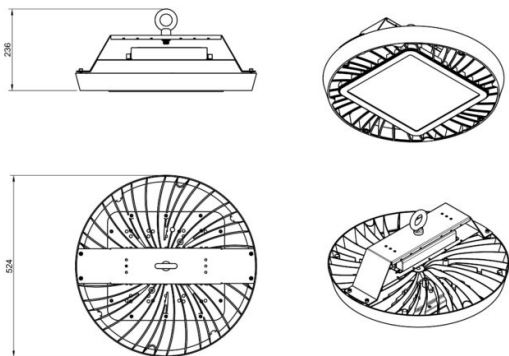


UKL 240 S626 840

Product ID	UKL240S626840
EPD available	Yes
Certificates	Balltest
MinTa in °C	-40
MaxTa in °C	50
IP rating	IP66
IK rating	IK09
Corrosion class	C3
Electrical class	Class I, Class II
Leakage current (mA)	< 0.70 mA
Voltage range (V)	90-305
Frequency range (Hz)	47 - 63
Total power consumption (W)	240
Power factor	0.95
PstLM	<1
SVM	<0.4
THD	<8
Surge protection (kV)	Up to 10kV (L/N - PE)
Driver type	On/Off
Dimming capability	No dimming
Driver options	Inventronics, *Other on demand
Number of drivers	1
Luminous flux from luminaire (lm)	37850
Efficacy (lm/W)	158
Color temperature (K)	4000
CRI (Color Rendering Index)	80
McAdam steps	3
Optic type	Symmetric 94°
Optic code	S626
Energy class of light source	D
LED lifetime L90B10 Ta25 (h)	75000

Ukko



LED lifetime L80B10 Ta25 (h)	100000
Luminous flux decline (LLMF) 50.000h Ta25	L90
Warranty period	5 years
Serviceability	LED module and driver are replaceable by installer
Main housing material	Aluminium
Housing color code / name	Grey (RAL 9006)
Finish / Coating type	Powder coating
Diffuser design	Transparent
Product Mounting	ceiling surface, wall surface, pendant
Cable type	H07RN-F
Complementary extras	Holder
Length (mm)	524
Width (mm)	524
Height (mm)	236
Net weight (kg)	7.8
Full product weight (kg)	8.8
Recommended installation height in m	11-13m

