

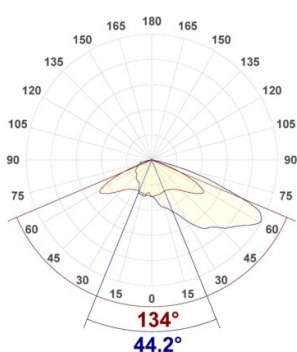
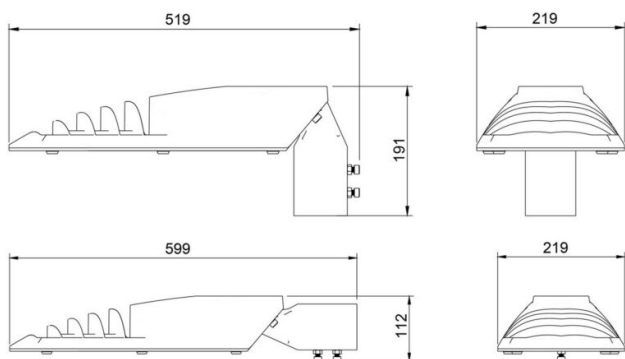
Movo S



MVS,10,F414,830

Product ID	MVS10F414830
EPD available	Yes
MinTa in °C	-40
MaxTa in °C	45
IP rating	IP66
IK rating	IK09
Corrosion class	C3
Electrical class	Class I, Class II
Leakage current (mA)	< 0.325 mA
Voltage range (V)	198 - 264
Frequency range (Hz)	50 - 60
Total power consumption (W)	10
Power factor	0.95
PstLM	<1
SVM	<0.4
THD	<8
Surge protection (kV)	Up to 10kV (L/N - PE)
Driver type	On/Off, DALI2, D4i
Dimming capability	No dimming, DALI2, Active night
Control options	Zhaga up, Zhaga down, Zhaga up/down, No Zhaga
Driver options	Tridonic, *Other on demand
Number of drivers	1
Luminous flux from luminaire (lm)	1260
Efficacy (lm/W)	126
Color temperature (K)	3000
CRI (Color Rendering Index)	80
McAdam steps	3
Optic type	Asymmetric 134°x44°
Optic code	F414
Energy class of light source	E
LED lifetime L90B10 Ta25 (h)	100000

Movo S



LED lifetime L80B10 Ta25 (h)	110000
LED lifetime L95B10 Ta25 (h)	50000
Luminous flux decline (LLMF) 50.000h Ta25	L95
Warranty period	5 years
Serviceability	LED module and driver are replaceable by installer
Main housing material	Aluminium
Housing color code / name	Grey (RAL 9006), Black (RAL 9005), Optional
Finish / Coating type	Powder coating
Diffuser design	Transparent
Product Mounting	Pole
Diameter (mm)	60
Cable type	CYKY 3x1,5 mm ² 6,5m *others on demand
Complementary extras	Wall arm, 45 degree adapter
Length (mm)	519
Width (mm)	219
Height (mm)	191
Net weight (kg)	4.2
Full product weight (kg)	5.4
Recommended installation height in m	4-5m

