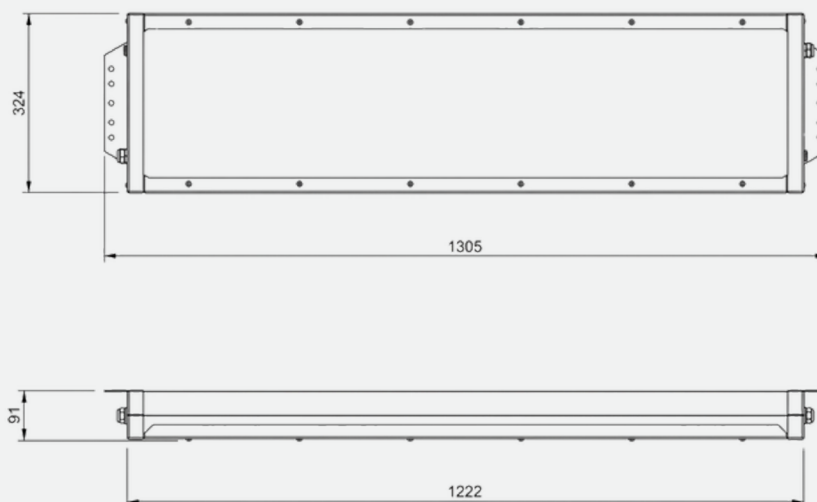


STEEL SPORT EVO

Installation manual

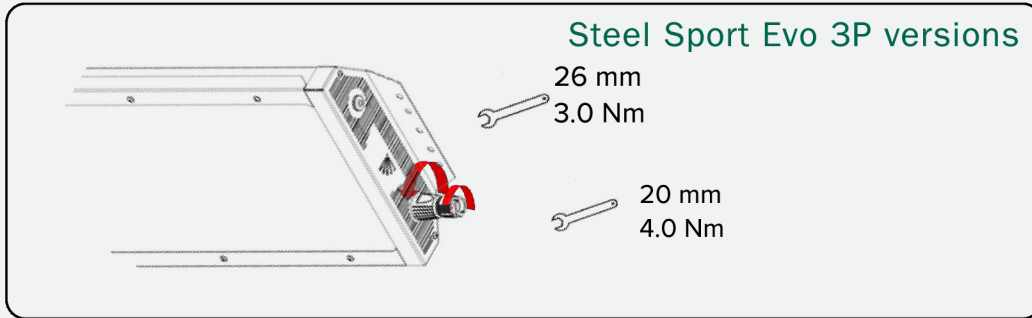


	STEEL SPORT EVO L
Luminous flux	up to 27300 lm
Consumption	up to 160 W
Input voltage	AC198-264V 50/60 Hz
CCT, CRI	CCT 3000K/4000K; RA>80
Dimensions	1305 x 324 x 91 mm
Net weight	11 kg
Ambient temperature range	-10° ... +30° C
Ambient humidity range	15%~90%RH

STEEL SPORT EVO

Mounting

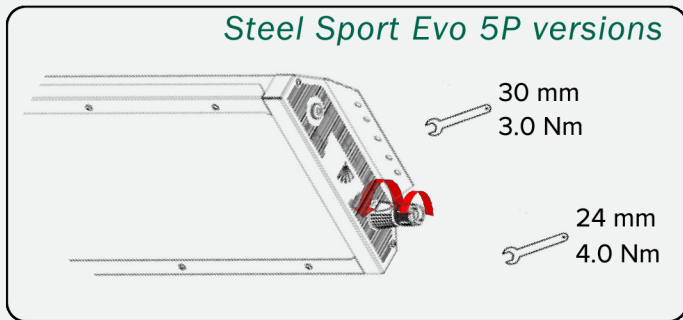
Steel Sport Evo 3P versions



26 mm
3.0 Nm

20 mm
4.0 Nm

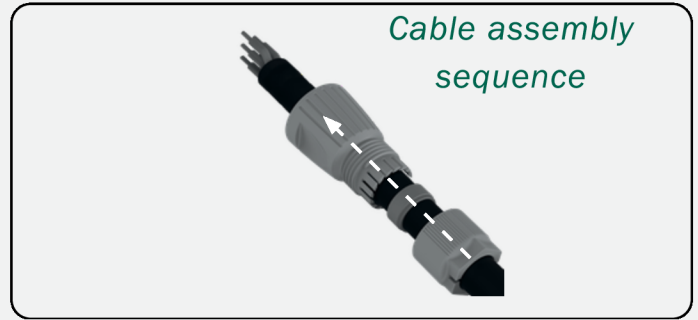
Steel Sport Evo 5P versions



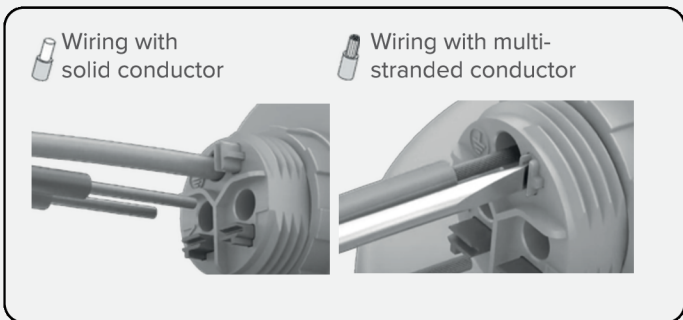
30 mm
3.0 Nm

24 mm
4.0 Nm

Cable assembly sequence



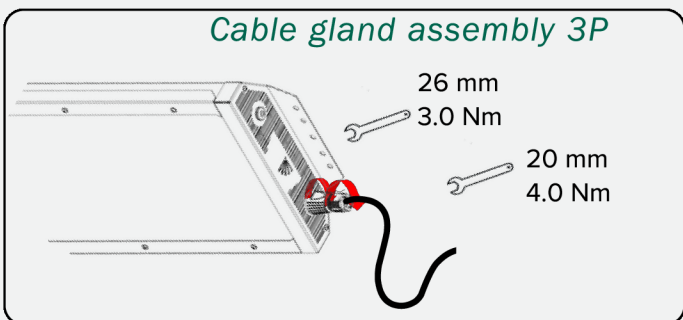
Wiring with solid conductor Wiring with multi-stranded conductor



Cable gland assembly



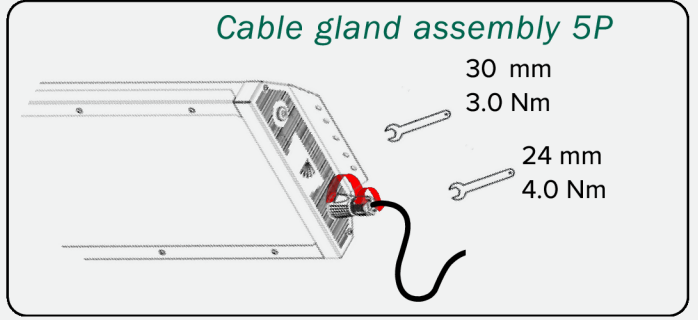
Cable gland assembly 3P



26 mm
3.0 Nm

20 mm
4.0 Nm

Cable gland assembly 5P

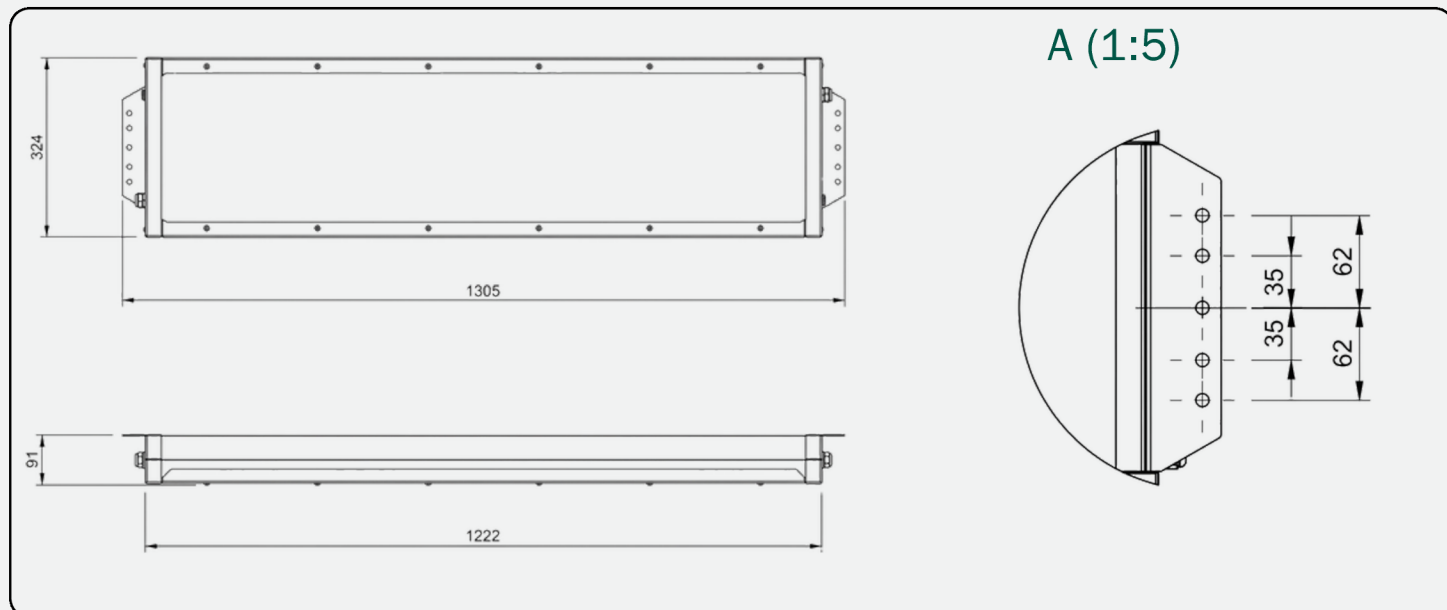


30 mm
3.0 Nm

24 mm
4.0 Nm

STEEL SPORT EVO

STEEL SPORT EVO L



SAFETY AND INSTALLATION INSTRUCTIONS Read these instructions carefully before commencing installation and retain for future reference. The luminaire should be installed by a licensed electrician and in accordance with local regulations. Make sure that the power is off before installation or maintenance. Install as described in this manual. **To maximize life span, install the luminaires and the drivers as far away from heat sources as possible and in a well ventilated area.** Use the supplied cable and driver for best function and safety.

NOTE: The light source in this luminaire may only be replaced by the manufacturer or by qualified personnel designated by the manufacturer. Never regulate the power on the secondary side, this can damage or destroy the LED. Faulty installation may void warranty. When installing in wet areas, the driver must be placed in a dry zone.