



# VELA

## MULTI-PURPOSE LED FLOODLIGHT

VELA is a configurable floodlight platform designed for demanding indoor and outdoor applications where performance, durability, and optical flexibility are essential.

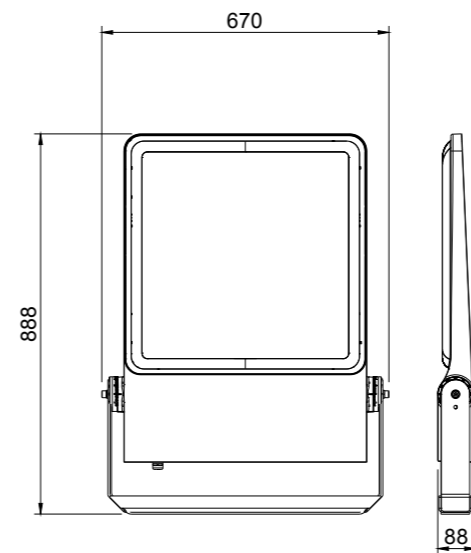
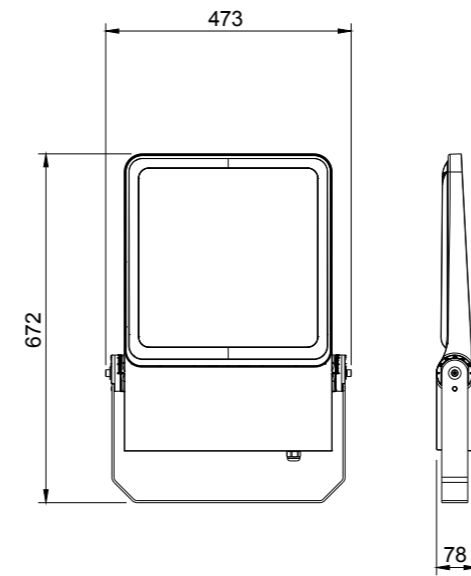
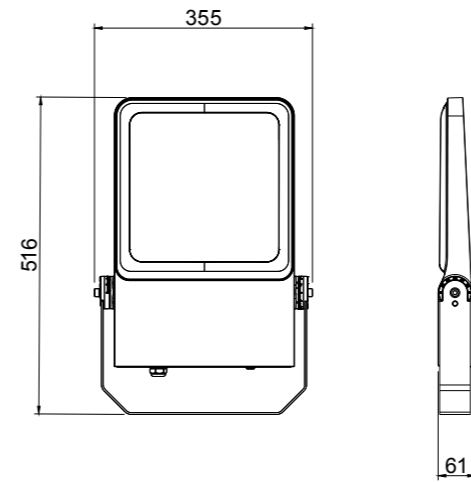
The system serves diverse environments: industrial facilities, warehouses, logistics centers, sports venues, parking structures, transportation terminals, agricultural buildings, and maritime installations. Its adaptability makes it suitable for projects requiring varied mounting heights, beam distributions, and environmental ratings.

VELA offers a comprehensive range of optical configurations and lumen packages, enabling precise specification for site conditions—from narrow beam sports lighting to wide distribution area coverage. Each luminaire can be tailored to deliver uniform illumination with controlled spill and glare management.

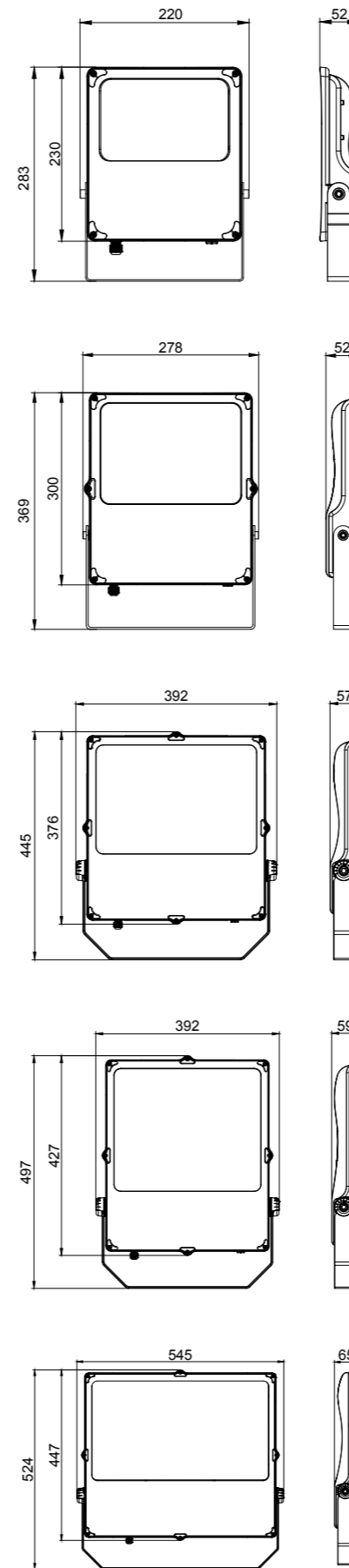
Robust housing and sealed construction withstand harsh industrial and outdoor conditions. High-efficacy LED arrays provide long-term output stability and reduced energy consumption across extended operational cycles.

From factory floors to stadium fields, VELA delivers reliable, specification-grade performance for projects demanding both versatility and longevity.

**Categories:** Airports and ports, area lighting, factories, farms, stables, general area lighting, heavy industry, indoor swimming pools, maritime applications, mills, barns, outdoor sports facilities, car parks, stations, terminals and warehouses.



Description	Values
Power	50 W - 800 W
Luminous flux	7050 - 120 370 lm
Efficacy	Up to 172 lm/W
Correlated color temperature	3000 K, 4000 K (others on request)
CRI	Ra 70
Light source	Integrated LED module
Housing	Die-cast aluminium
Coating	Coated aluminium, C4 corrosion class
RAL	RAL 9006 standard, other RAL on request
Material cover	Tempered glass
Screws	304 stainless screws
Driver	Tridonic / Inventronics
Electrical Class	Class I or Class II
Input voltage	90-305 V AC, 50-60 Hz
Surge protection	Up to 10 kV (L/N - PE)
Functions	DALI-2, AstroDIM, smart control management
Connection	External cable (type and length vary by model or project requirements)
Lifetime	100 000 h (at 25 °C)
Ambient temperature	-40 °C to +40 °C
IP Rating	IP66
IK Rating	IK08
Weight	6,9 / 11,3 / 23,1 kg
Certificates	CE, UKCA
Warranty	5 years



Description	Values
Power	20 W - 300 W
Luminous flux	2 900 - 47 380 lm
Efficacy	Up to 163 lm/W
Correlated color temperature	4000 K (others on request)
CRI	Ra 70
Light source	Integrated LED module
Housing	Die-cast aluminium
Coating	Coated aluminium, C4 corrosion class
RAL	RAL 9006 standard, other RAL on request
Material cover	Tempered glass
Screws	304 stainless screws
Driver	Sosen / other optional
Electrical Class	Class I or Class II
Input voltage	90-305 V AC, 50-60 Hz
Surge protection	Up to 10 kV (L/N - PE)
Functions	DALI-2
Connection	External cable (type and length vary by model or project requirements)
Lifetime	75 000 h (at 25 °C)
Ambient temperature	-40 °C to +40 °C
IP Rating	IP66
IK Rating	IK08
Weight	2,3 / 4,2 / 5,2 / 7 / 10,2 kg
Certificates	CE, UKCA
Warranty	5 years