



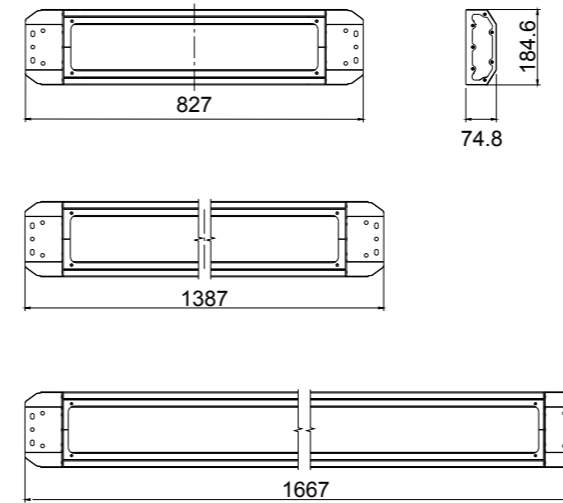
STEEL X

ACID-PROOF STEEL FOR HEAVY DUTY ENVIRONMENTS

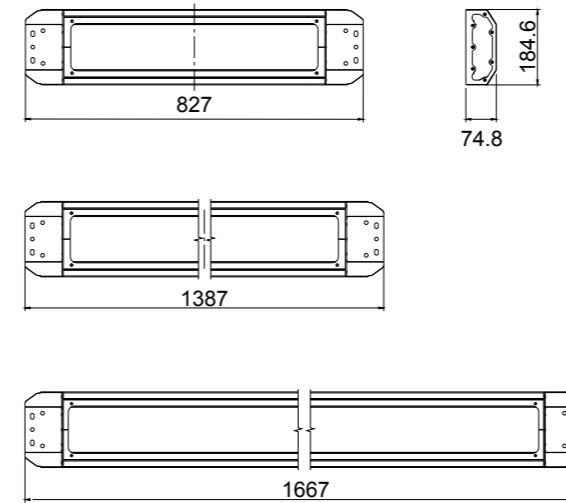
The STEEL X is a robust and versatile industrial LED luminaire, engineered to perform in the harshest environments. Built from acid-proof steel and available in three armature sizes, it provides exceptional strength, reliability, and adaptability for heavy industry and infrastructure projects.

Designed for chemically active environments such as car and train washing facilities, food processing plants, and chemical industries, the STEEL X offers outstanding durability through its tempered glass or acrylic diffusers and values provided by ACID Proof steel. This combination ensures long-lasting protection against corrosion, high humidity, and chemical exposure.

With high IP protection, flexible connections, and various stainless steel grades, the STEEL X delivers dependable, energy-efficient illumination even under extreme conditions. It is the perfect heavy-duty lighting solution for industrial, marine, and tunnel applications where safety, performance, and longevity are non-negotiable.



Description	Values
Power	30 W / 40 W / 70 W
Luminous flux	4 350 – 10 850 lm
Efficacy	Up to 162 lm/W
Correlated color temperature	3000 K, 4000 K (others on request)
CRI	Ra 80
Light source	Integrated LED module
Housing	Acid-proof steel – other options available
Coating	Polyester Powder Coating, C5M corrosion class
RAL	RAL 9010 standard, other RAL on request
Material cover	Tempered glass / polycarbonate
Screws	Acid-proof stainless steel
Driver	Helvar / Tridonic
Electrical Class	Class I or Class II
Input voltage	198–264 V AC, 50–60 Hz
Surge protection	Up to 4 kV (L/N – PE)
Functions	DALI-2
Connection	Not included
Lifetime	100 000 h (at 25 °C)
Ambient temperature	–25 °C to +25 °C
IP Rating	IP68
IK Rating	IK10
Weight	5,7 / 8,8 / 12 kg
Certificates	CE, UKCA, HACCP
Warranty	5 years

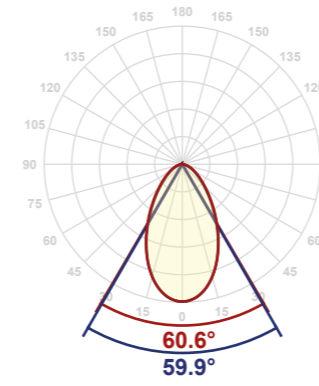


Description	Values
Power	30 W / 40 W / 60 W / 65 W
Luminous flux	4350 - 10 850 lm
Efficacy	Up to 162 lm/W
Correlated color temperature	3000 K, 4000 K (others on request)
CRI	Ra 80
Light source	Integral LED module
Housing	Acid-proof steel - other options available
Coating	Polyester Powder Coating, C5M corrosion class
RAL	RAL 9010 standard, other RAL on request
Material cover	Tempered glass
Screws	Acid-proof steel
Driver	Luxtronic
Electrical Class	Class I or Class II
Input voltage	198-264 V AC, 50-60 Hz
Functions	DALI-2
Connection	Not included
Lifetime	100 000 h (at 25 °C)
Ambient temperature	-20 °C to +40 °C
IP Rating	IP65
IK Rating	IK10
Weight	5,7 / 8,8 kg
Certificates	CE, UKCA, HACCP, ATEX zone 2,22
Warranty	5 years

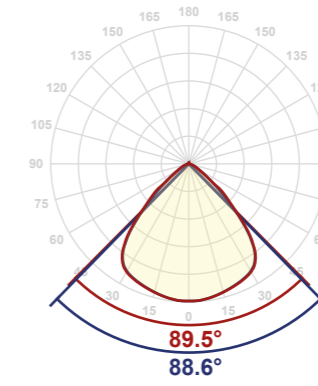


STEEL X OPTICS

Y4402



Y4403



Contact us for more optical versions