



LORIEN

A SMART PARK LUMINAIRE WITH A TIMELESS DESIGN

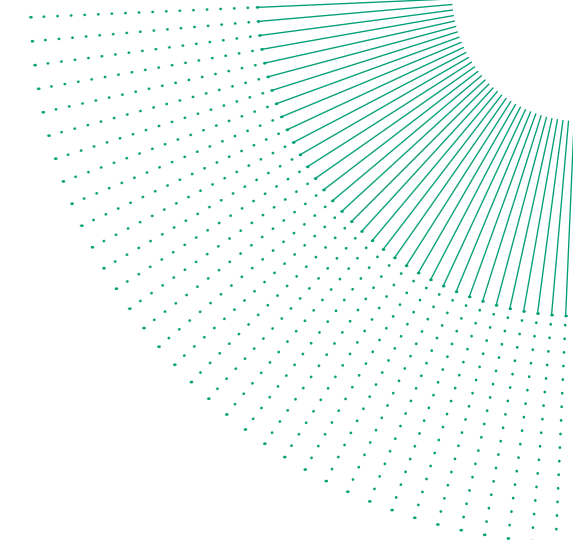
LORIEN combines classic post-top form with contemporary LED performance, suited to parks, squares, residential streets, and pedestrian areas where visual cohesion and lighting quality are equally important.

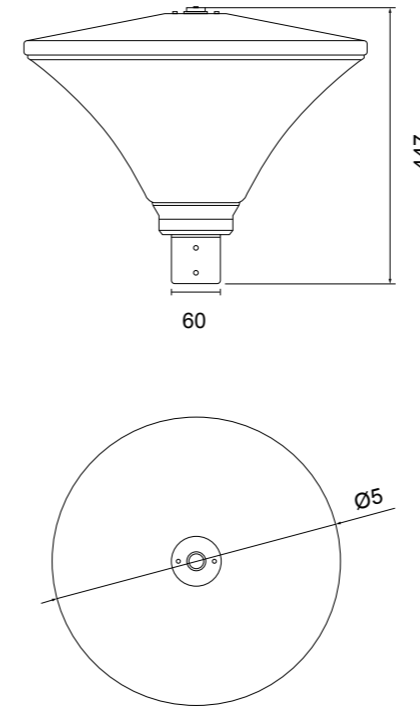
The luminaire delivers uniform, glare-controlled distribution through a durable polycarbonate diffuser, ensuring pedestrian-scale comfort and safety. Its timeless profile integrates into heritage and modern contexts without visual disruption.

Die-cast aluminum housing and top cover provide structural integrity and thermal management. Post-top mounting accommodates 60 mm or 108 mm spigots, offering flexibility across site conditions. Modular internal construction simplifies maintenance and component access.

Standard Constant Light Output (CLO) drivers compensate for LED depreciation, maintaining specified illumination levels throughout the luminaire's operational life. Zhaga-compatible interface enables integration with smart city platforms and adaptive control strategies.

Built for long-term urban deployment, LORIEN supports energy-efficient public lighting strategies while respecting the architectural character of the spaces it serves.





Description	Values
Power	25 W / 35 W
Luminous flux	3000 - 4000 lm
Efficacy	Up to 126 lm/W
Correlated color temperature	2700K, 3000 K, 4000 K (others on request)
CRI	Ra 80 (90 optional)
Light source	Integral LED module
Housing	Die-cast aluminium / polycarbonate
Coating	Standard - C3 (Marine C5 on request)
RAL	RAL 9006, RAL9005 standard, other RAL on request
Material cover	Polycarbonate
Screws	304 stainless screws
Driver	Tridonic / TCI / Signify / Inventronics
Electrical Class	Class I or Class II
Input voltage	220-240 V AC, 50-60 Hz
Surge protection	2 kV
Functions	DALI-2, D4i, chronoSTEP
Connection	External cable (type and length vary by model or project requirements)
Installation bracket diameter	48 / 60 mm
Compatibility of pole diameters	48 mm / 60 mm
Lifetime	100 000 h (at 25 °C)
Ambient temperature	-40 °C to +50 °C
IP Rating	IP66
IK Rating	IK10
Weight	7,5 kg
Certificates	CE, UKCA
Warranty	5 years

* - depends on type of the surge