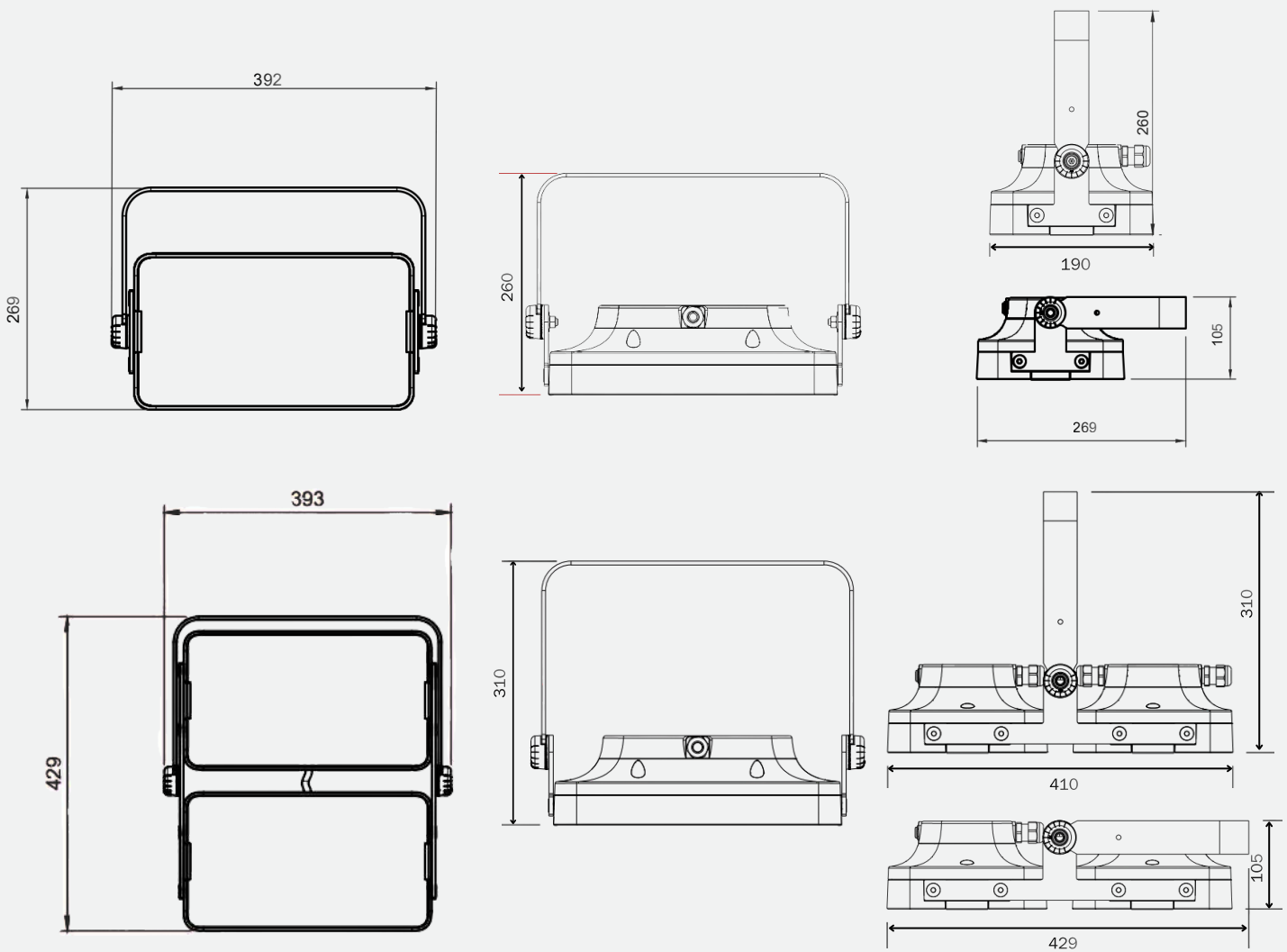


GEO FL S Installation manual






	GEO FL S 1M	GEO FL S 2M
Luminous flux	8720 - 16720 lm	24440 - 33440 lm
Consumption	50 - 100W	150 - 200 W
Input voltage	AC100-240V 50/60 Hz	
Wind area min/max	0.02 m ² /0.064 m ²	0.041 m ² /0.128 m ²
Dimensions	392 x 269 x 105 mm	393 x 429 x 105 mm
Net weight	5.35 kg	9.9 kg
Ambient humidity range	10%~90%RH	

Service QR tag

The luminaire is provided with three service tags. One is mounted in the luminaire housing. One should be mounted behind the pole door. One should be attached to the documentation.



Wiring diagram




Phase		2
Neutral		1
Earth		yellow & green

*NOTE! Ground connection applies to protection class I luminaires.



Warning, risk of electric shock.

Alternative wiring diagram

Phase		brown
Neutral		blue
Earth		yellow & green

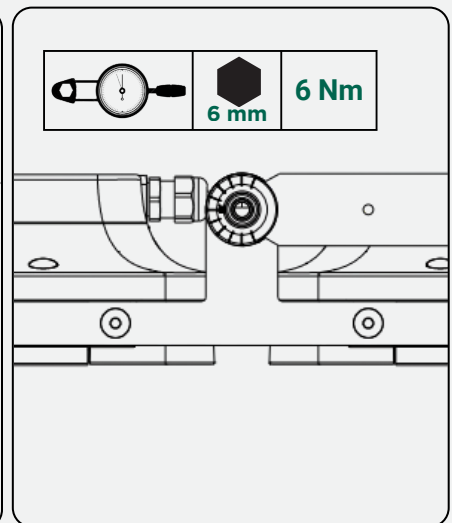
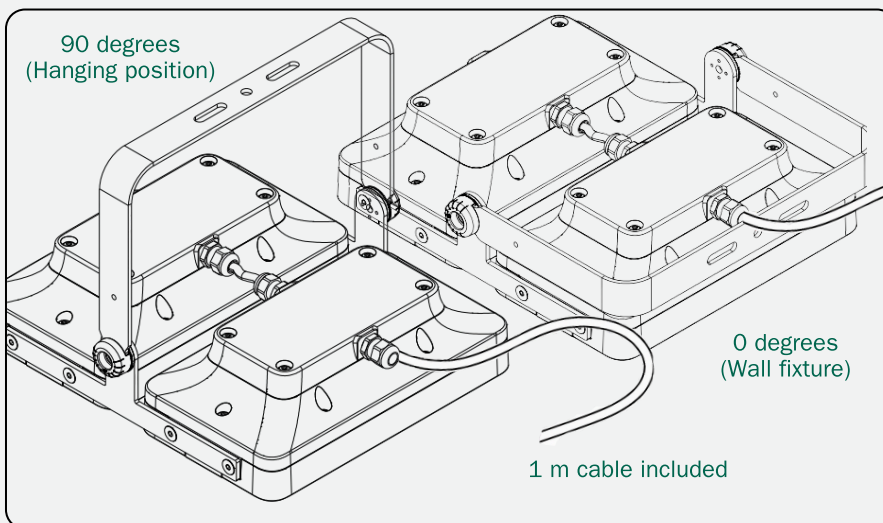
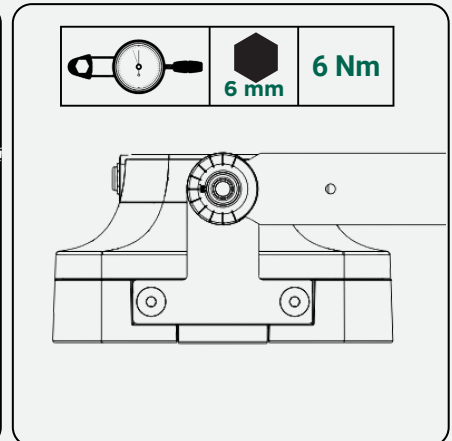
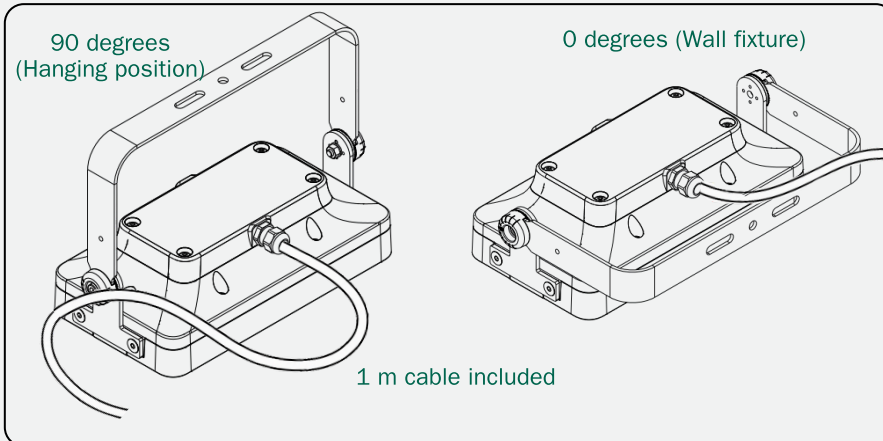
*NOTE! Ground connection applies to protection class I luminaires.



Warning, risk of electric shock.

GEO FL S

Holder options



SAFETY AND INSTALLATION INSTRUCTIONS Read these instructions carefully before commencing installation and retain for future reference. The luminaire should be installed by a licensed electrician and in accordance with local regulations. Make sure that the power is off before installation or maintenance. Install as described in this manual. **To maximize life span, install the luminaires and the drivers as far away from heat sources as possible and in a well ventilated area.** Use the supplied cable and driver for best function and safety.

NOTE: The light source in this luminaire may only be replaced by the manufacturer or by qualified personnel designated by the manufacturer. Never regulate the power on the secondary side, this can damage or destroy the LED. Faulty installation may void warranty. When installing in wet areas, the driver must be placed in a dry zone.