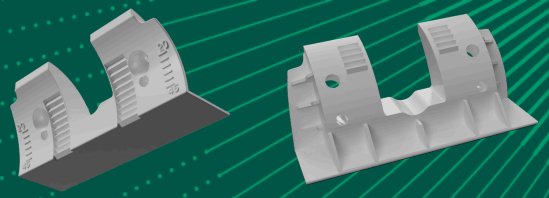
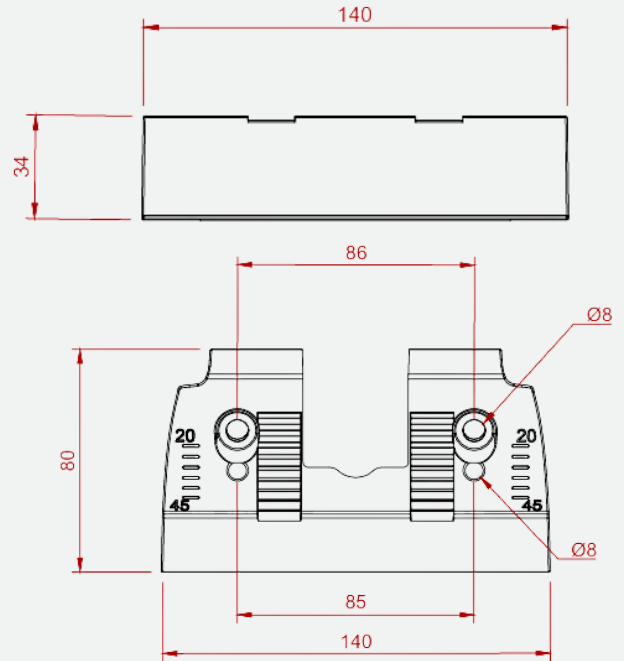


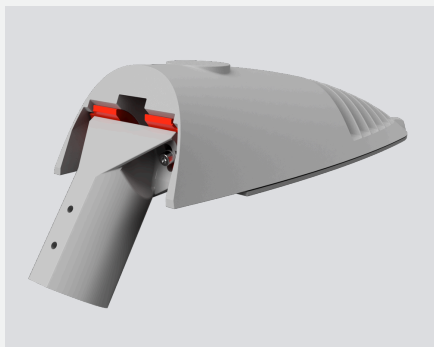
45 DEGREE ADAPTER



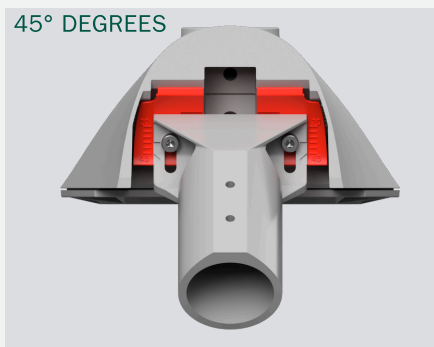
This adapter is used to increase the adjustable angle range on Movo and Movo S luminaires. The bracket allows the angle to be set anywhere between 20° and 45°.



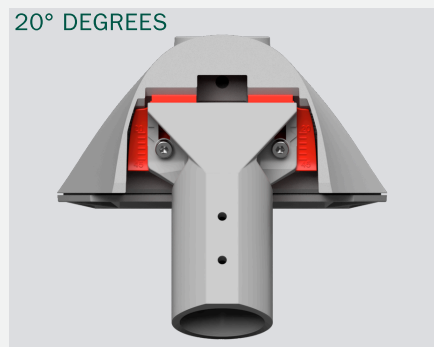
MOVO



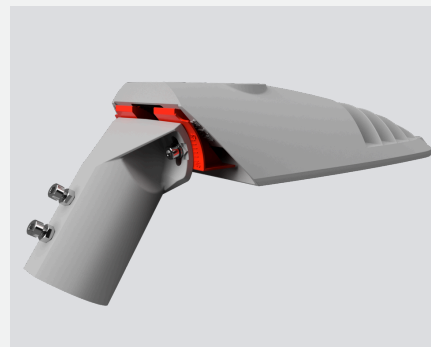
45° DEGREES



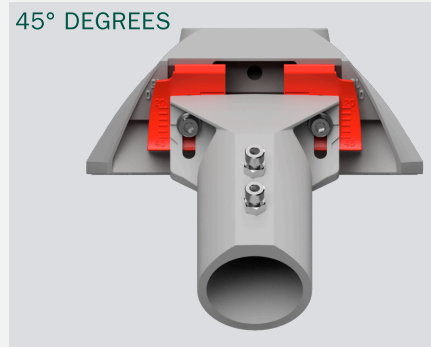
20° DEGREES



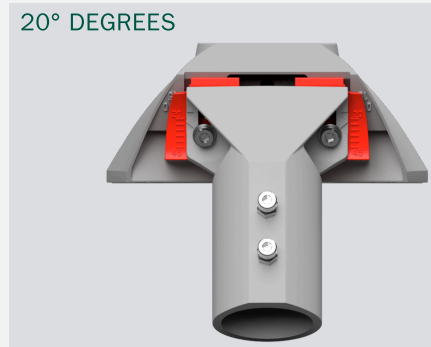
MOVO S



45° DEGREES



20° DEGREES



45 DEGREE ADAPTER

Mounting

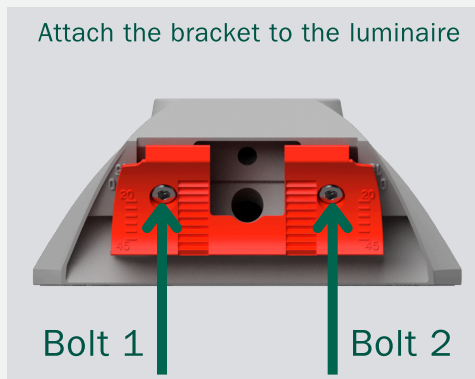
STEP 1

Remove spigot from the luminaire



STEP 2

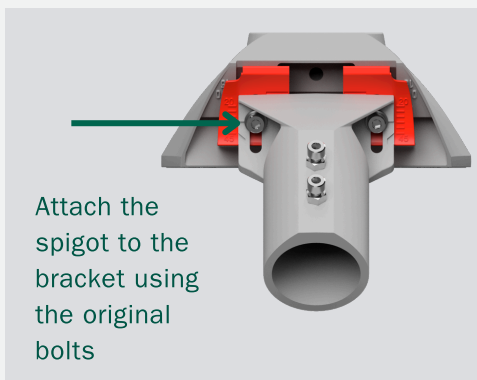
Attach the bracket to the luminaire



Important!
Make sure the teeth of the bracket and the housing are aligned correctly before tightening.

STEP 3

Attach the spigot to the bracket using the original bolts



Mounting kit

